

KS4 DT Homework

Name:

You have been set 10 tasks for your homework. You have 1 week to complete the tasks. Each task should take no longer than 5 minutes. Please email me if you need help.

Task 1

Give 3 rules for using a vertical belt sander?



Task 2

What are the advantage of using Medium Density Fibreboard (MDF).

Task 3

Can you name the following tools?



Task 4

Name the following fittings and fixtures?

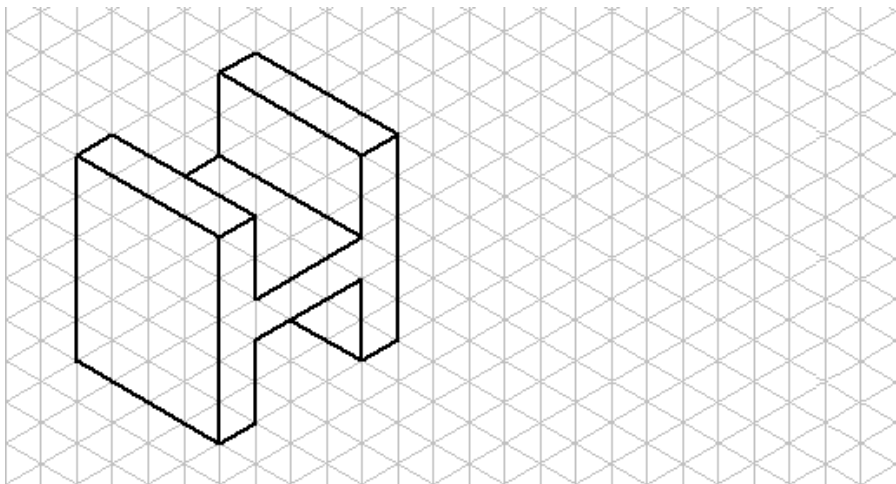


KS4 DT Homework

Name:

Task 5

Copy this isometric shape using a pencil and a ruler.



Task 6

Add dimensions to the following shapes in millimetres. The first one has been done for you.

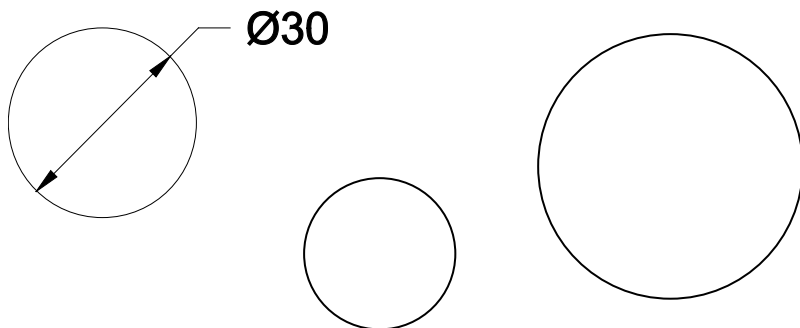


KS4 DT Homework

Name:

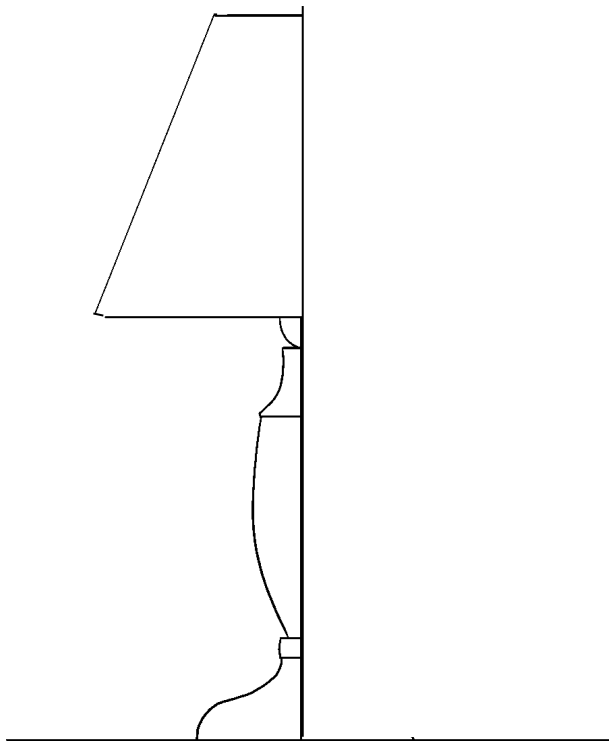
Task 7

Dimensions the circles below in millimetres. The first one has been done for you.



Task 8

Complete the missing half of the drawing. Use a pencil and a ruler.

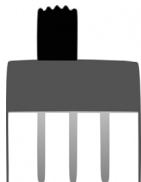


KS4 DT Homework

Name:

Task 9

Name these electrical components?



Task 10

Add dimensions to the 3d shape. Use the example below as a guide.

